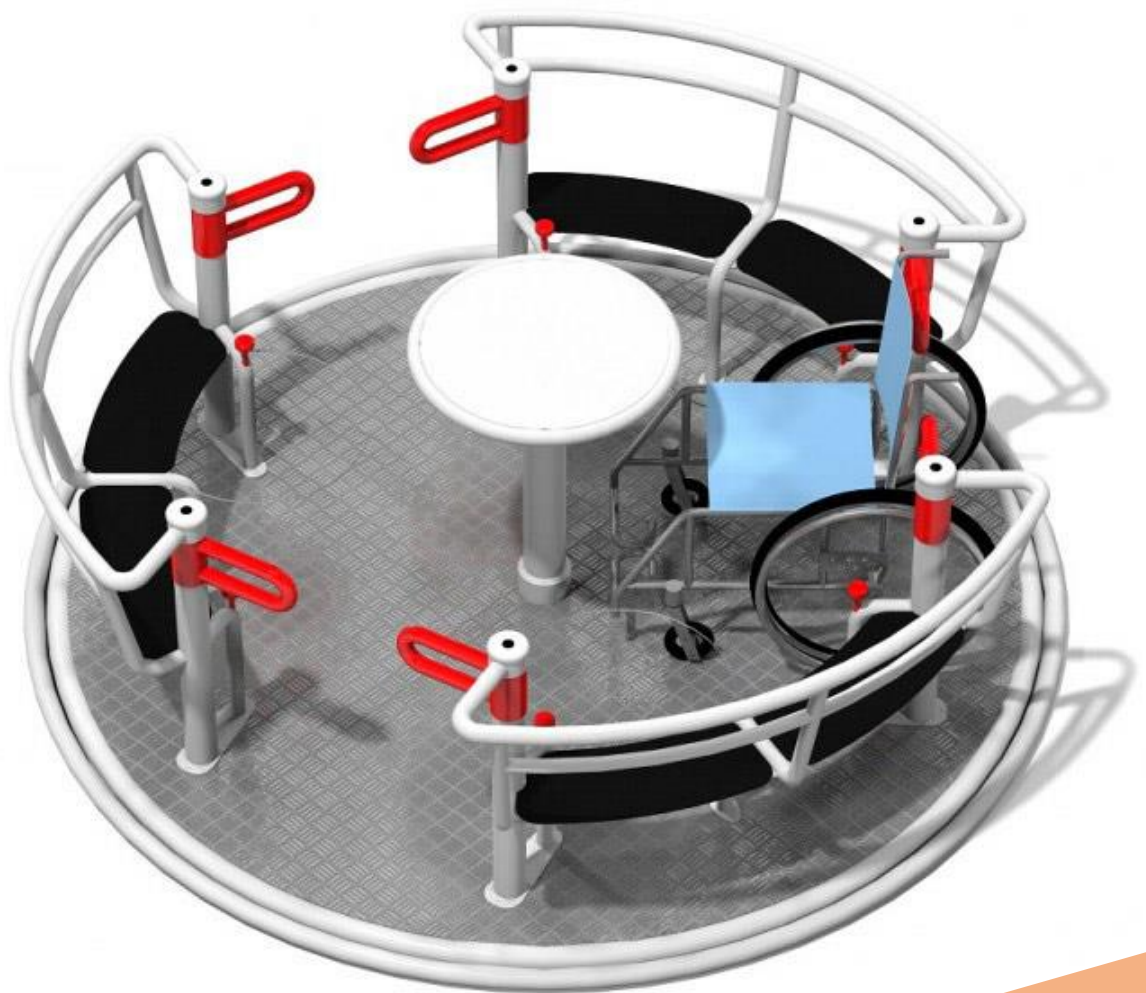


# 3 Door Roundabout



# Description

The 3 Door Roundabout enables simultaneous use by 3 people in wheelchairs and 6 people sitting on benches. The Roundabout is equipped with 3 safety system elements:

1 - Entrance gates in the open position block the rotation of the roundabout. Rotation is possible only after closing all gates.

2 - Opening the gate while the roundabout is turning causes the roundabout to slow down and stop.

3 - Centrifugal brake prevents the roundabout from rotating too quickly.

# Product Details

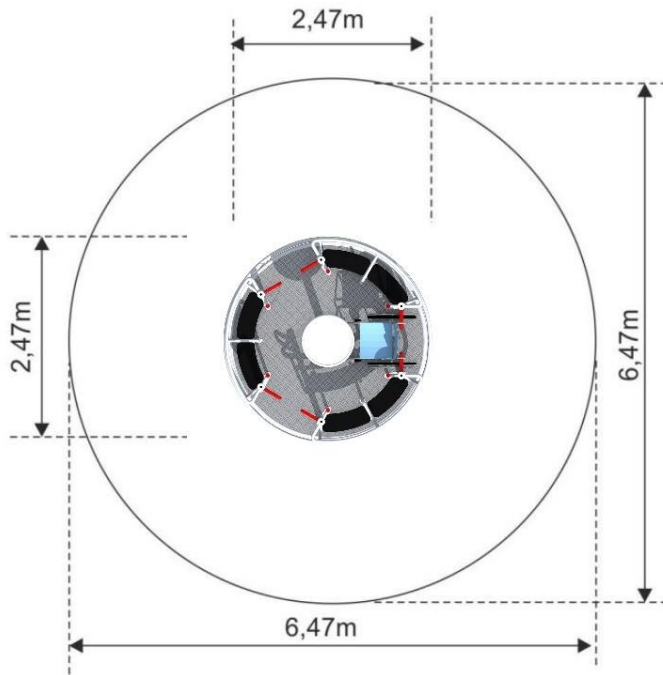
- Dimensions: 2,47 x 2,47 x 0,79m
- Safety area: 6,47 x 6,47m
- Free fall height: 1,00 m
- Certificate confirming compatibility with norm EN 1176

All images are for illustration purpose only and may vary from the actual product.

# Included

- 1x rotating platform
- 1x middle circle which moving the roundabout
- 3x double seats with the backrests
- 3x places for wheelchair users
- 3x gates
- 1x integrated mechanism systems inside device: centrifugal brake system, drum braking system, gate lock system and locking system for carousel rotation in the case of non-closed gates.

# Safety Area



# Photos







---

ENRICHING LIVES THROUGH CREATING INCLUSION WITH  
PLAYGROUND EQUIPMENT

---

Intre-stone Ltd  
Fosters Yard  
Station Road  
Langworth  
Lincoln  
LN3 5BD

GET IN TOUCH

01522 420091  
[enquiries@intrestone.co.uk](mailto:enquiries@intrestone.co.uk)  
[www.ambrestone.co.uk](http://www.ambrestone.co.uk)