

# Basket Swing



# Description

The Swing with an inclusive basket seat. This kind of seat allows children who do not have good balance, strong grip or good coordination, can enjoy the sensation of swinging. The inclusive basket swing seat fits nearly anyone who needs a supportive, secure ride on a special needs swing. The Swing frame has an attached round bench for a parent.

## Product Details

- Dimensions (LxWxH): 3,47 x 0,75 x 2,77 m
- Safety area: 2,16 x 7,80 m
- Freefall height: 1,30m
- A certificate confirming compatibility with norm EN1176

## Included

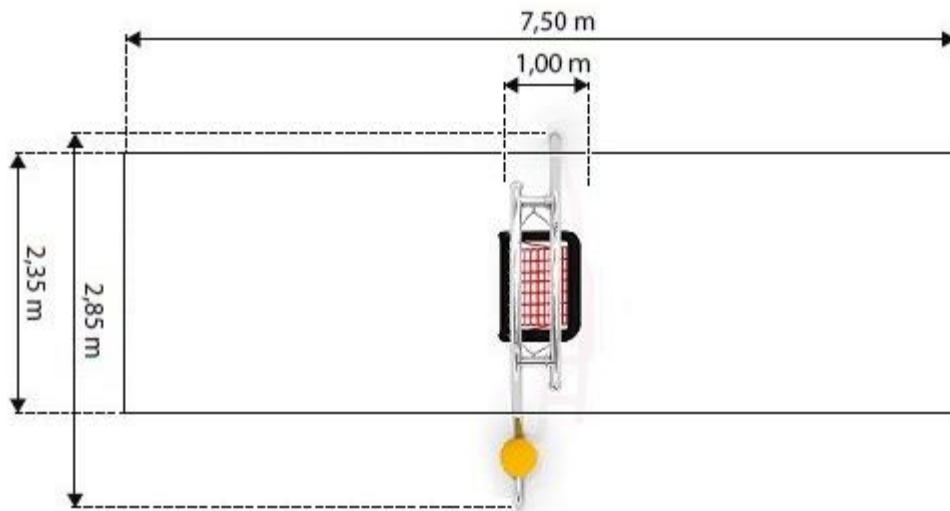
- 2x frames connected with each other in the shape of an arc
- 1x seat
- 1x bench

## Materials

Metal pipes: 42,40 x 2,00 mm, 38,00 x 2,00 mm, 60,30 x 2,60 mm, 88,90 x 2,70 mm with profile 40,00 x 27,00 x 2,00 mm. The legs for the swing: 88,90 x 2,00 mm. Platform: aluminium plate 3,00 mm. Rope 16mm with the plastic ending.

All images are for illustration purpose only and may vary from the actual product.

# Safety Area



# Photos





## CERTIFICATE

Certificate Number: 2100860/01/P5BN/3

Certification program: P5BN

Certification type: 3 according to EN ISO/IEC 17067:2013

### Licence Holder

INTER SYSTEM s.c.  
ul. T. Zana 6  
71-161 Szczecin

### Manufacturing Plant

INTER SYSTEM s.c.  
ul. T. Zana 6  
71-161 Szczecin

### Product

### Code

### Product Identification

POGO - swing

K305

Pendulum swing of a steel construction with seat adapted for disabled users, hanged in two points. Swing additionally equipped with bench made of HDPE board.

It is hereby certified that the above mentioned products fulfill the requirements contained in:

**EN 1176-1:2017**

**EN 1176-2:2017+AC:2019**

The right to use the certificate in the period from 07.03.2021 to 06.03.2024 concerns only the copies of the product, with the same properties (parameters) as the representative sample submitted for testing and with the requirement as defined above.  
The certificate shall remain in force in condition of the holder complies with the contract and regulations.



AC 171



ISSUE DATE:

07.03.2021 r.

EXPIRY DATE:

06.03.2024 r.

Certification Director



---

ENRICHING LIVES THROUGH CREATING INCLUSION WITH  
PLAYGROUND EQUIPMENT

---

Intre-stone Ltd  
Fosters Yard  
Station Road  
Langworth  
Lincoln  
LN3 5BD

GET IN TOUCH

01522 420091  
[enquiries@intrestone.co.uk](mailto:enquiries@intrestone.co.uk)  
[www.ambrestone.co.uk](http://www.ambrestone.co.uk)