

# Mercury Swing



# Description

The Mercury is a single swing with a seat for disabled children with safety harness. The construction made of galvanized and powder paint steel. Screws and other fastening elements covered with plastic caps.

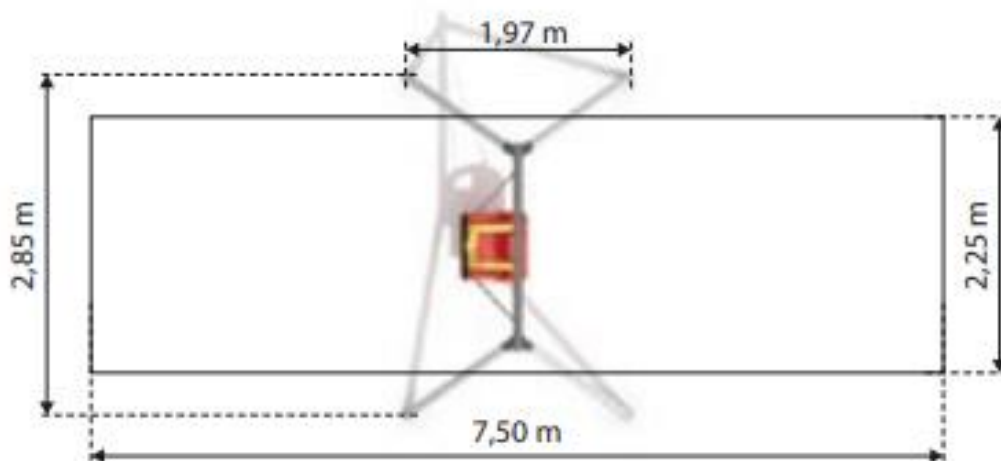
# Product Details

- Dimensions: 2,85 x 1,97 x 2,29 m
- Safety area: 2,25 x 7,50 m
- Free fall height: 1,34 m
- Certificate confirming compatibility with norm EN 1176

# Included

- 1 frame on 4 legs,
- 1 seat for disabled children with safety harness

# Safety Area





---

ENRICHING LIVES THROUGH CREATING INCLUSION WITH  
PLAYGROUND EQUIPMENT

---

Intre-stone Ltd  
Fosters Yard  
Station Road  
Langworth  
Lincoln  
LN3 5BD

GET IN TOUCH

01522 420091  
[enquiries@intrestone.co.uk](mailto:enquiries@intrestone.co.uk)  
[www.ambrestone.co.uk](http://www.ambrestone.co.uk)